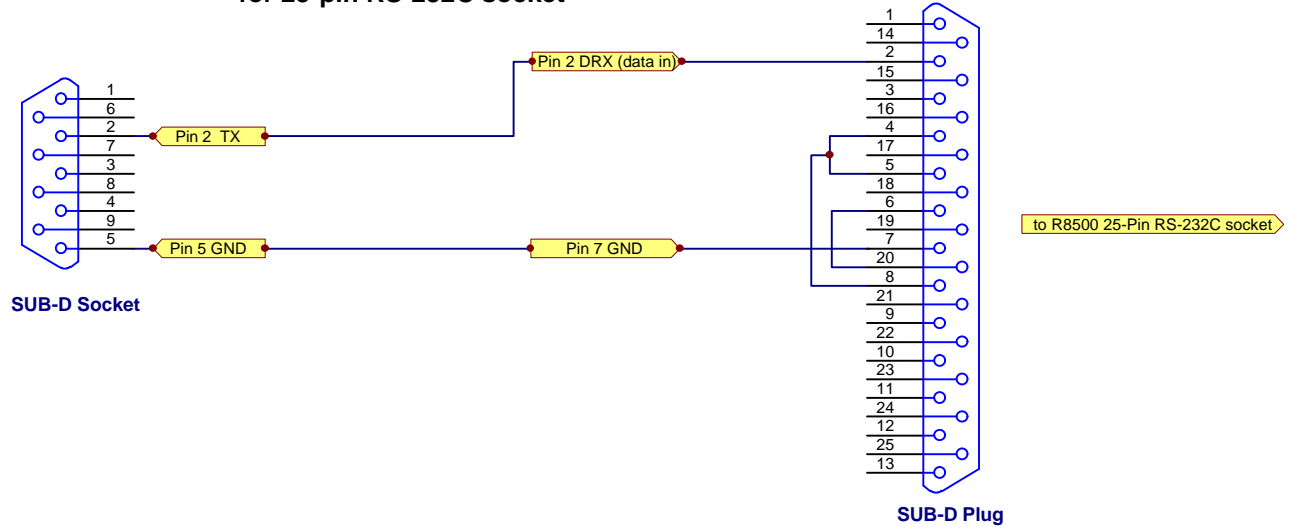
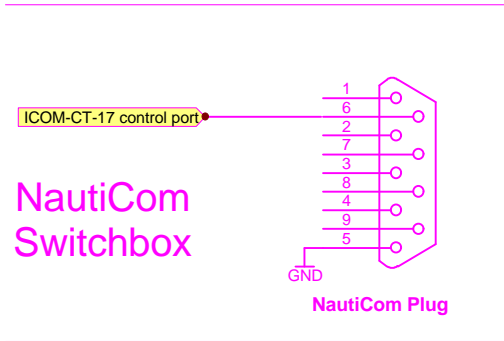


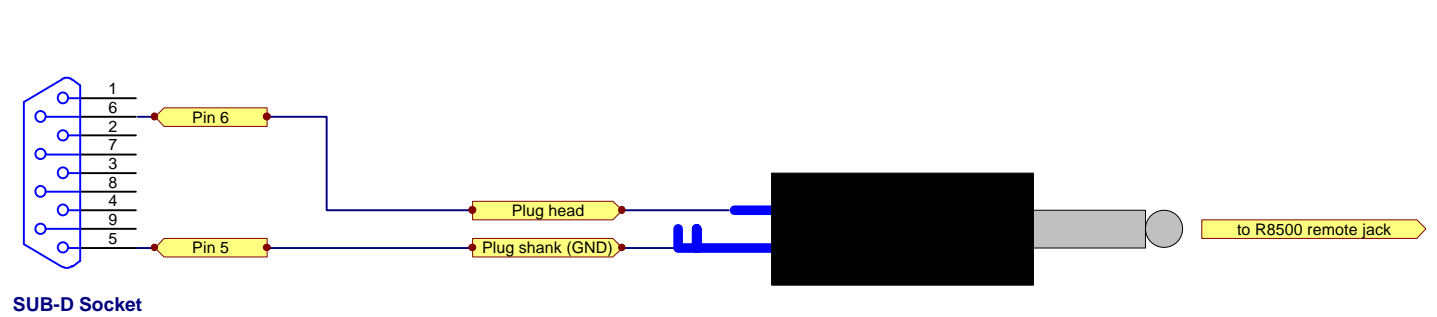
for 25-pin RS-232C socket



you can choose between 2 sockets, but only one to the time



or for CI-V CT17 remote jack



 CABLE- AND JUNCTIONS Service WORKFILE: CABNA10A		date:
		01.09.98
Switchmodul:	receiver type:	Intern Info:
NautiCom	ICOM IC-R8500	for BoardTerminal receiver control